

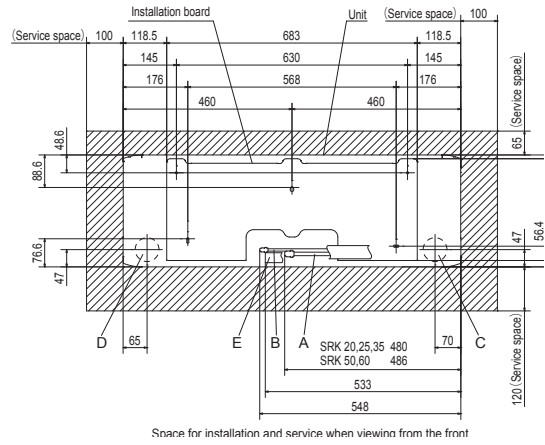
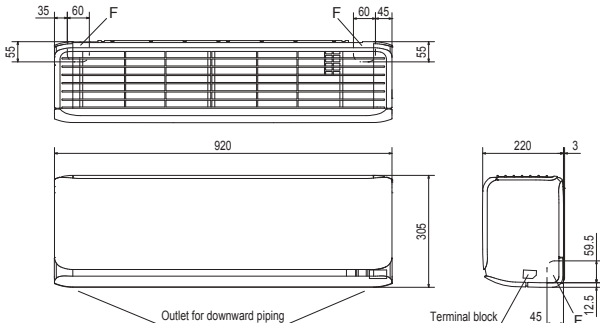
ГАБАРИТНЫЕ РАЗМЕРЫ

ВНУТРЕННИЕ БЛОКИ

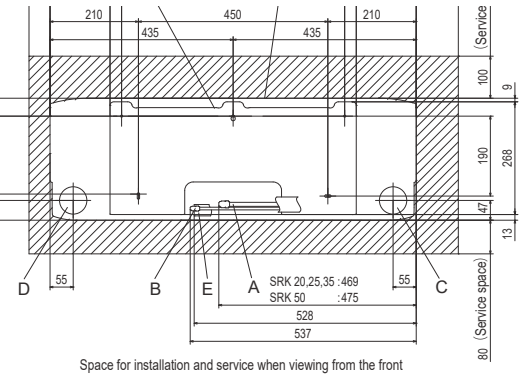
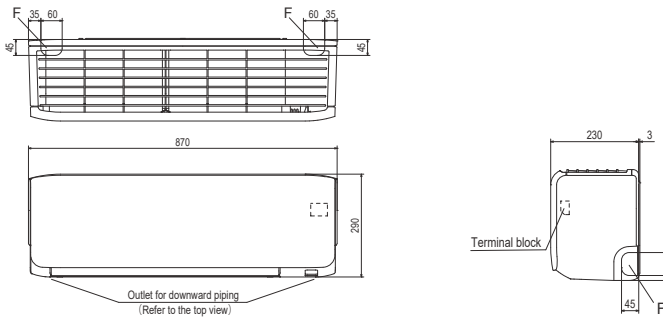
НАСТЕННЫЕ

SRK20ZSX-W SRK25ZSX-W SRK35ZSX-W SRK50ZSX-W SRK60ZSX-S

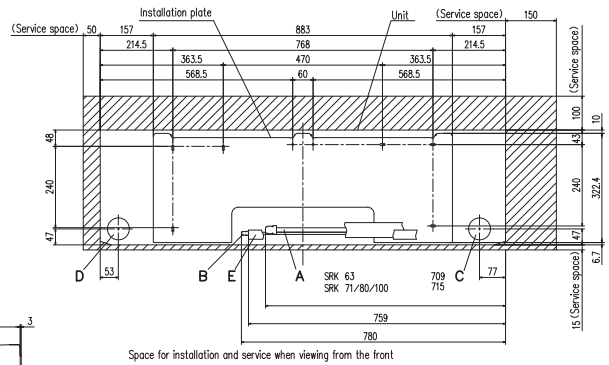
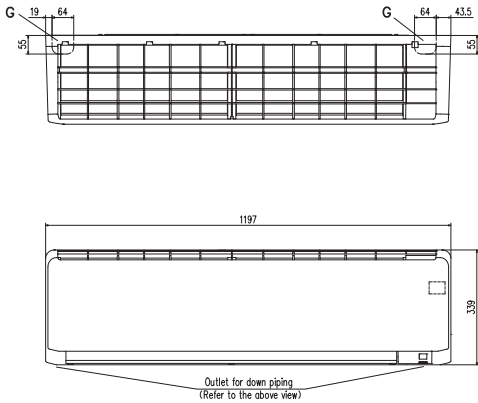
Symbol	Content
A	Gas piping SRK 20,25,35 ϕ 9.52 (3/8") (Flare)
B	Liquid piping SRK 50,60 ϕ 12.7 (1/2") (Flare)
C	Hole on wall for right rear piping ϕ 65
D	Hole on wall for left rear piping ϕ 65
E	Drain hose VP16
F	Outlet for piping



Symbol	Content
A	Gas piping SRK20, 25, 35 ϕ 9.52 (3/8") (Flare)
B	Liquid piping SRK50 ϕ 12.7 (1/2") (Flare)
C	Hole on wall for right rear piping ϕ 65
D	Hole on wall for left rear piping ϕ 65
E	Drain hose VP16
F	Outlet for piping (on both side)



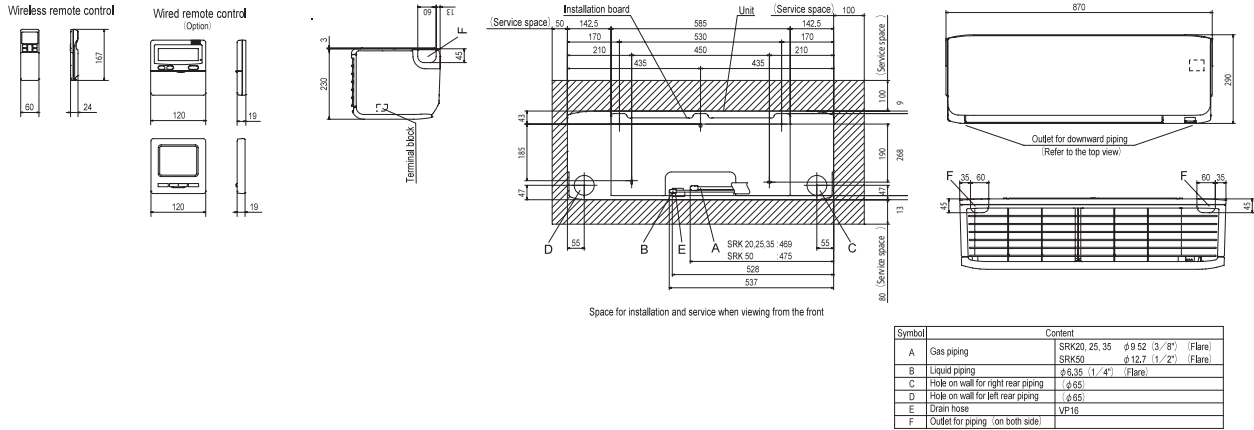
SRK63ZR-W SRK71ZR-W SRK80ZR-W SRK100ZR-S
SRK63ZSPR-S SRK71ZSPR-S SRK80ZSPR-S



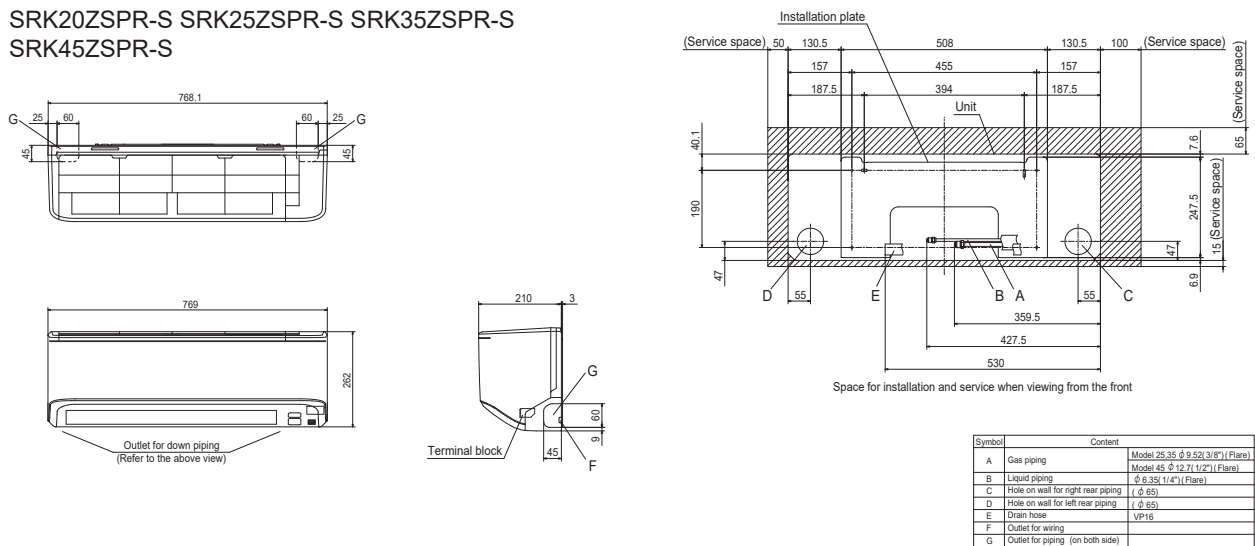
Symbol	Content
A	Gas piping SRK 63 ϕ 12.7 (1/2") (Flare)
	SRK 71,80,100 ϕ 15.88 (5/8") (Flare)
B	Liquid piping SRK 63,71,80 ϕ 6.35 (1/4") (Flare)
	SRK 100 ϕ 9.52 (3/8") (Flare)
C	Hole on wall for right rear piping ϕ 46.5
D	Hole on wall for left rear piping ϕ 46.5
E	Drain hose VP16
F	Outlet for wiring (on both side)
G	Outlet for piping (on both side)

НАСТЕННЫЕ

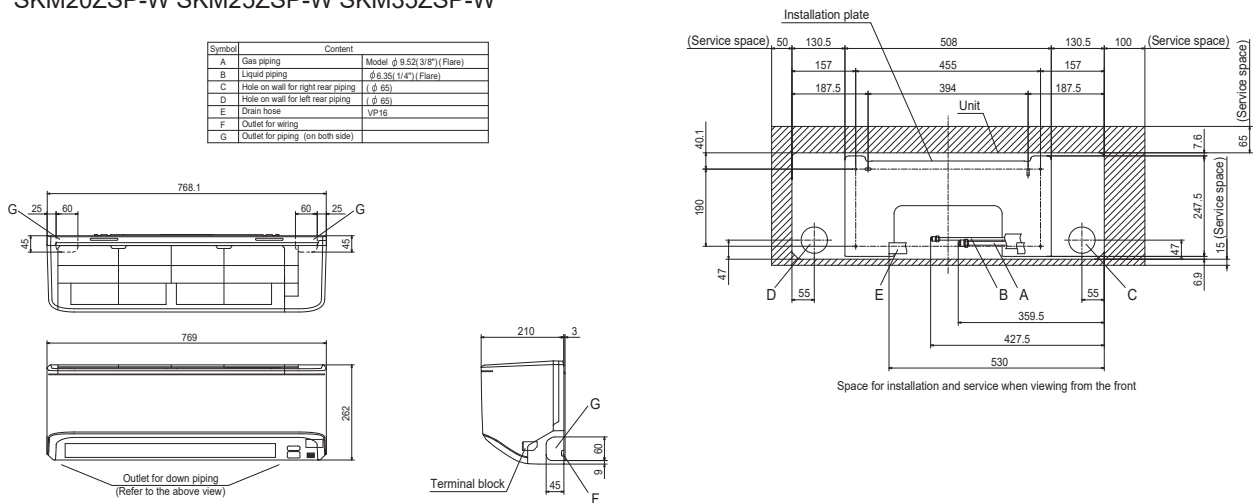
SRK20ZS-W SRK25ZS-W SRK35ZS-W SRK50ZS-W



SRK20ZSPR-S SRK25ZSPR-S SRK35ZSPR-S SRK45ZSPR-S



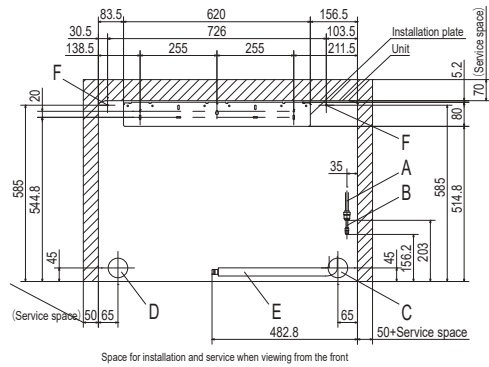
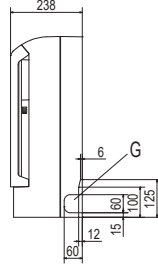
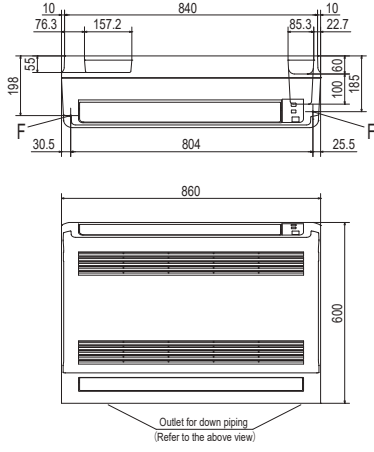
SKM20ZSP-W SKM25ZSP-W SKM35ZSP-W



ГАБАРИТНЫЕ РАЗМЕРЫ

НАПОЛЬНЫЕ

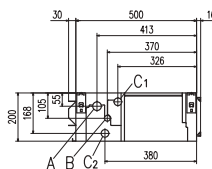
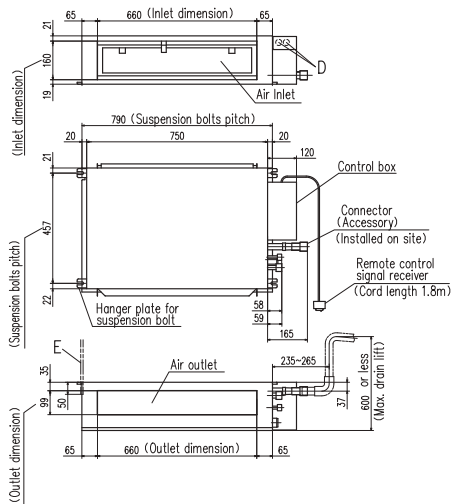
SRF25ZMX-S SRF35ZMX-S SRF50ZMX-S



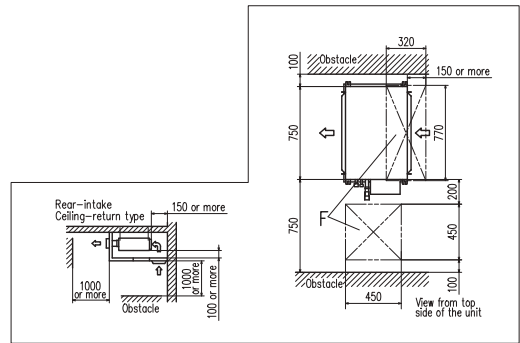
Symbol	Content
A	Gas piping Model 25.35 : φ9.52 (3/8") (Flare)
B	Liquid piping Model 25.35 : φ12.7 (1/2") (Flare)
C	Hole on wall for right rear piping (φ65)
D	Hole on wall for left rear piping (φ65)
E	Drain hose VP16
F	Screw point (to fasten the indoor unit) φ5
G	Outlet for piping (on both side)

КАНАЛЬНЫЕ

SRR25ZS-W SRR35ZS-W

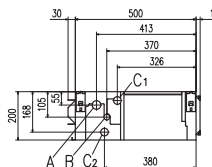
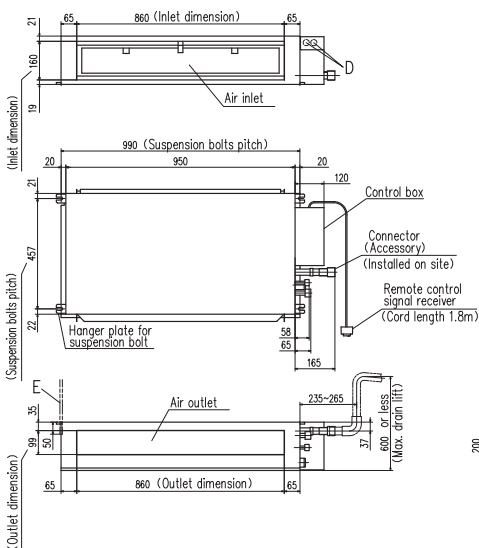


Space for installation and service

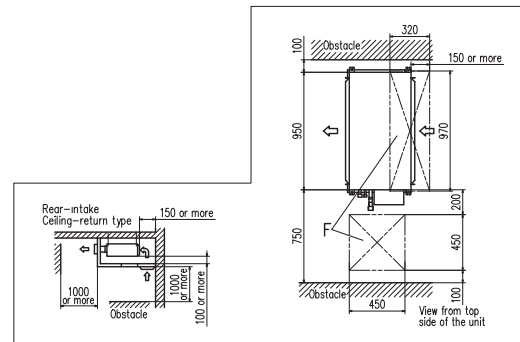


Symbol	Model	Content
	25.35	
A	Gas piping	φ9.52 (3/8") (Flare)
B	Liquid piping	φ6.35 (1/4") (Flare)
C1	Drain piping	VP25 (I.D.25, O.D.32)
C2	Drain piping (Gravelly drainage)	VP25 (I.D.25, O.D.32)
D	Hole for wiring	φ25 x 2
E	Suspension bolts	(M10)
F	Inspection hole	(450X450), (320X770)

SRR50ZS-W SRR60ZS-W



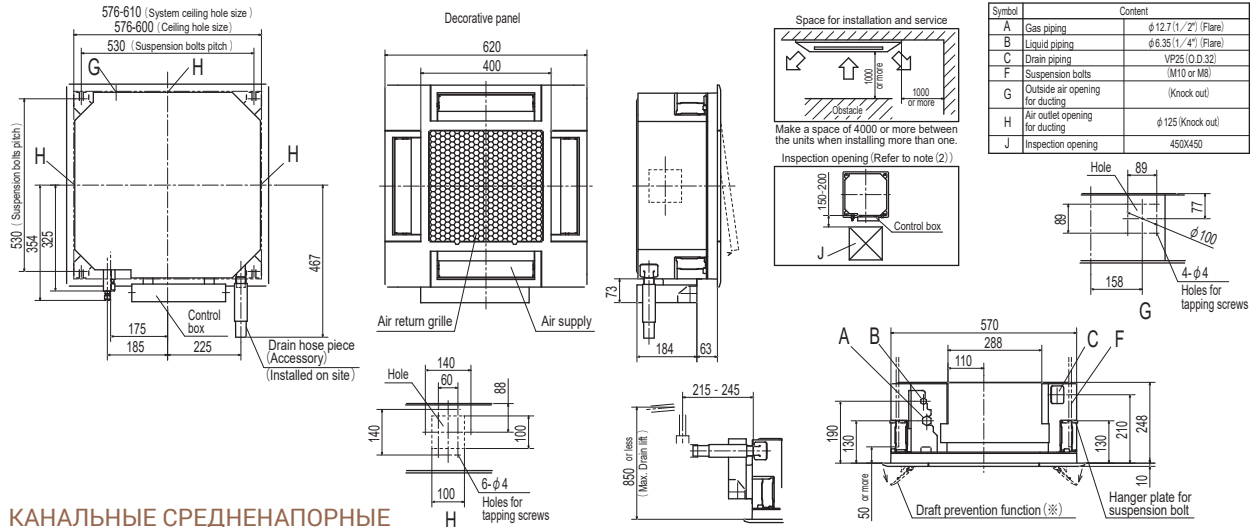
Space for installation and service



Symbol	Model	Content
	50.60	
A	Gas piping	φ12.7 (1/2") (Flare)
B	Liquid piping	φ6.35 (1/4") (Flare)
C1	Drain piping	VP25 (I.D.25, O.D.32)
C2	Drain piping (Gravelly drainage)	VP25 (I.D.25, O.D.32)
D	Hole for wiring	φ25 x 2
E	Suspension bolts	(M10)
F	Inspection hole	(450X450), (320X770)

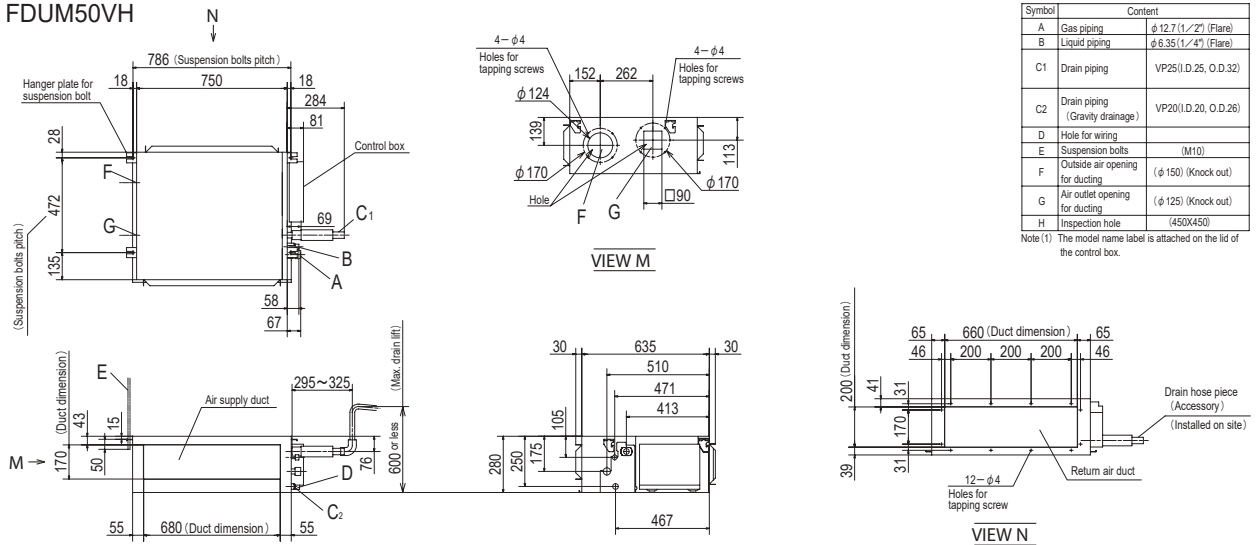
КАССЕТНЫЕ

FDTC40VH FDTC50VH FDTC60VH



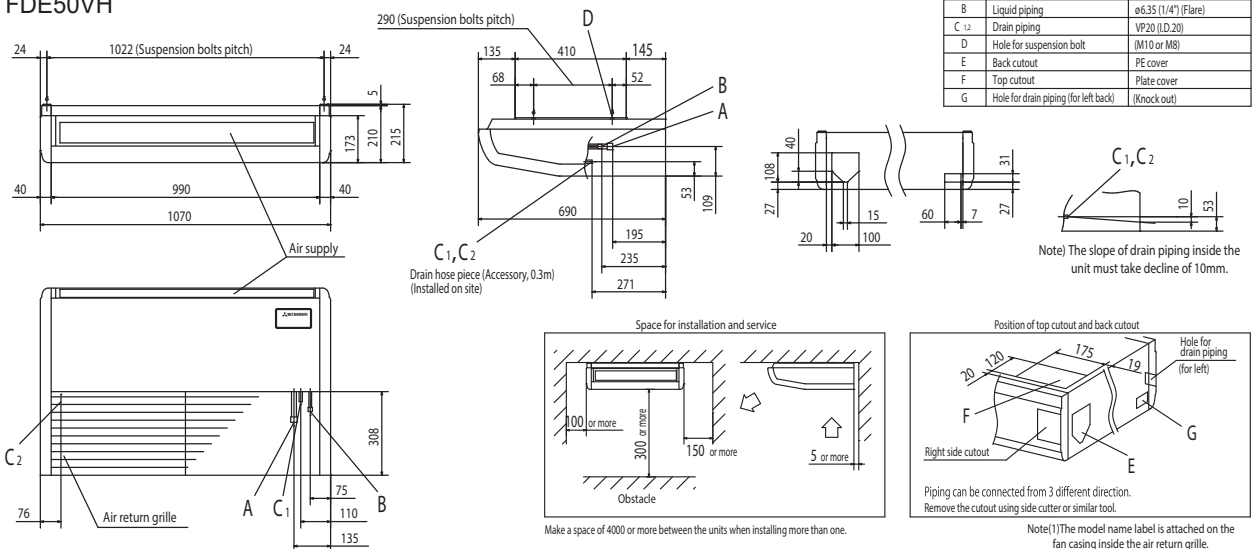
КАНАЛЬНЫЕ СРЕДЕНАПОРНЫЕ

FDUM50VH



ПОТОЛОЧНЫЕ

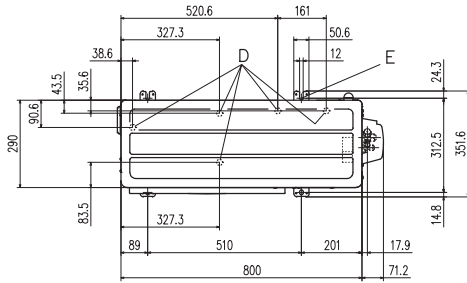
FDE50VH



ГАБАРИТНЫЕ РАЗМЕРЫ

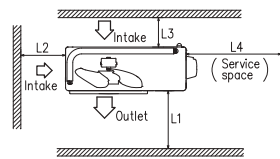
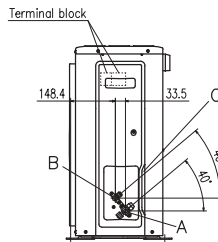
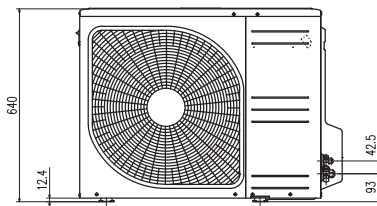
НАРУЖНЫЕ БЛОКИ

SRC20ZSX-W SRC25ZSX-W SRC35ZSX-W SRC50ZSX-W SRC60ZSX-W
SRC63ZR-W SRC63ZSPR-S

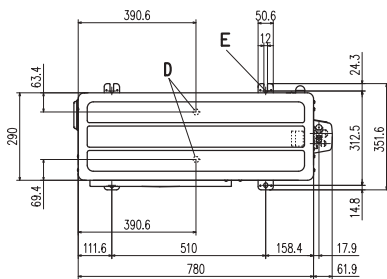


Symbol	Content
A	Service valve connection (gas side) $\phi 12.7$ (1/2") (Flare)
B	Service valve connection (liquid side) $\phi 6.35$ (1/4") (Flare)
C	Pipe/cable draw-out hole
D	Drain discharge hole $\phi 20 \times 5$ places
E	Anchor bolt hole M10 $\times 4$ places

Examples of installation Dimensions	Minimum installation space			
	I	II	III	IV
L1	Open	280	280	180
L2	100	75	Open	Open
L3	100	80	80	80
L4	250	Open	250	Open

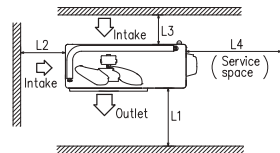
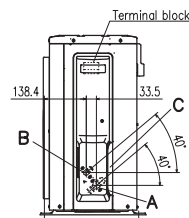
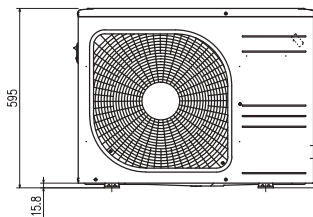


SRC50ZS-W SRC45ZSPR-S

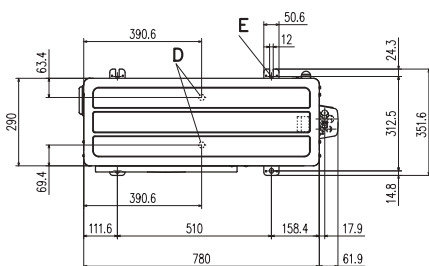


Symbol	Content
A	Service valve connection (gas side) ZMX: $\phi 9.52$ (3/8") (flare) ZS.ZMP: $\phi 12.7$ (1/2") (flare)
B	Service valve connection (liquid side) $\phi 6.35$ (1/4") (Flare)
C	Pipe/cable draw-out hole
D	Drain discharge hole $\phi 20 \times 2$ places
E	Anchor bolt hole M10 $\times 4$ places

Examples of installation Dimensions	Minimum installation space			
	I	II	III	IV
L1	Open	280	280	180
L2	100	75	Open	Open
L3	100	80	80	80
L4	250	Open	250	Open

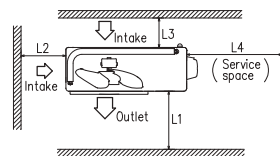
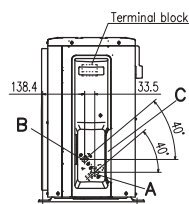
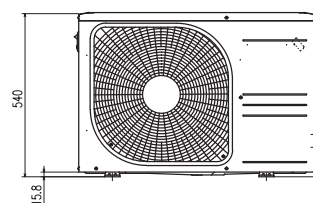


SRC20ZS-W SRC25ZS-W SRC35ZS-W

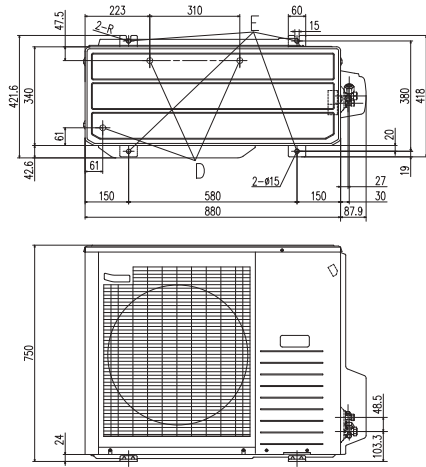


Symbol	Content
A	Service valve connection (gas side) $\phi 9.52$ (3/8") (Flare)
B	Service valve connection (liquid side) $\phi 6.35$ (1/4") (Flare)
C	Pipe/cable draw-out hole
D	Drain discharge hole $\phi 20 \times 2$ places
E	Anchor bolt hole M10 $\times 4$ places

Examples of installation Dimensions	Minimum installation space			
	I	II	III	IV
L1	Open	280	280	180
L2	100	75	Open	Open
L3	100	80	80	80
L4	250	Open	250	Open



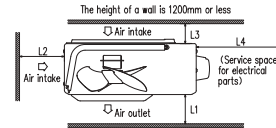
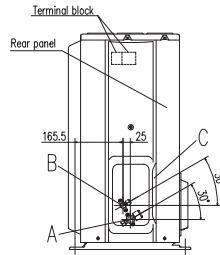
SRC71ZR-W SRC71ZSPR-S SRC80ZR-W SRC80ZSPR-S



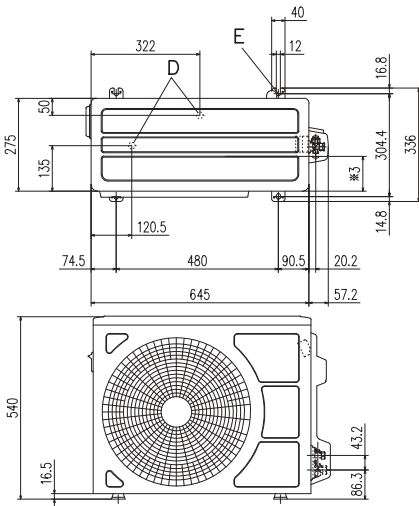
Symbol	Content	
A	Service valve connection (gas side)	φ15.88 (5/8") (Flare)
B	Service valve connection (liquid side)	φ6.35 (1/4") (Flare)
C	Pipe/cable draw-out hole	φ20 x 3 places
D	Drain discharge hole	φ20 x 3 places
E	Anchor bolt hole	M10 x 4 places

Minimum installation space

Example of Installation Dimensions	I			II			III		
	L1	L2	L3	L1	L2	L3	L1	L2	L3
Open	Open	Open	Open	Open	Open	Open	Open	Open	Open
L1	300	250	250	300	250	250	300	250	250
L2	100	150	100	100	150	100	100	150	100
L3	250	250	250	250	250	250	250	250	250



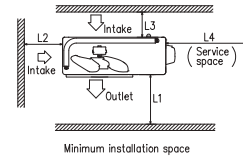
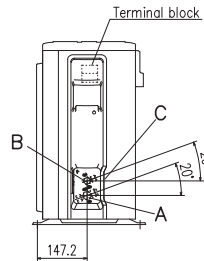
SRC20ZSPR-S SRC25ZSPR-S SRC25ZSP-W SRC35ZSPR-S SRC35ZSP-W



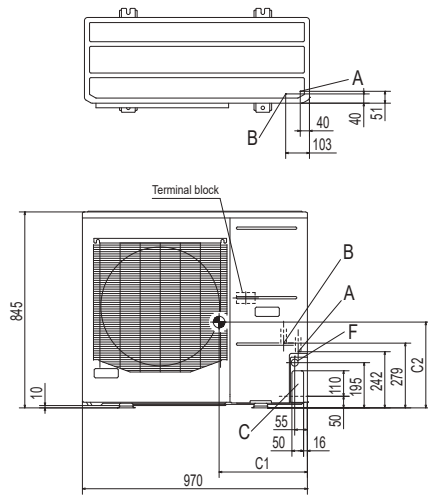
Symbol	Content	
A	Service valve connection (gas side)	φ9.52 (3/8") (Flare)
B	Service valve connection (liquid side)	φ6.35 (1/4") (Flare)
C	Pipe/cable draw-out hole	φ20x2places
D	Drain discharge hole	φ20x2places
E	Anchor bolt hole	M10x4places

Example of Installation Dimensions	I				II				III				IV			
	L1	L2	L3	L4	L1	L2	L3	L4	L1	L2	L3	L4	L1	L2	L3	L4
Open	Open	Open	Open	Open	Open	Open	Open	Open	Open	Open	Open	Open	Open	Open	Open	Open
L1	100	100	100	100	280	280	280	280	180	180	180	180	180	180	180	180
L2	100	100	100	100	100	100	100	100	100	100	100	100	100	100	100	100
L3	100	80	80	80	80	80	80	80	80	80	80	80	80	80	80	80
L4	250	Open	Open	Open	250	Open	Open	Open	Open	Open	Open	Open	Open	Open	Open	Open

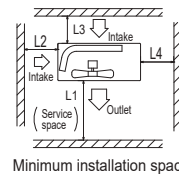
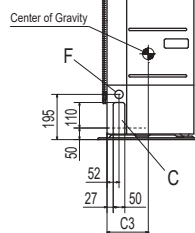
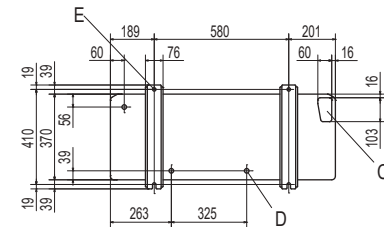
Dimensions	MODEL	φ1	φ2	φ3
DXC09Z5-S/A	210	240	103	
DXC12Z5-S/A	220	240	108	



FDC100VNA FDC100VSA FDC100VNP



Symbol	Content	
A	Service valve connection (gas side)	φ15.88 (5/8") (Flare)
B	Service valve connection (liquid side)	φ9.52 (3/8") (Flare)
C	Pipe / cable draw-out hole	φ20x3 places
D	Drain discharge hole	φ20x3 places
E	Anchor bolt hole	M10x4 places
F	Cable draw-out hole	φ30x3 places



Example of Installation Dimensions	I			II			III		
	L1	L2	L3	L1	L2	L3	L1	L2	L3
Open	Open	Open	Open	Open	Open	Open	Open	Open	Open
L1	300	300	300	300	300	300	300	300	300
L2	150	150	150	150	150	150	150	150	150
L3	150	150	150	150	150	150	150	150	150

MODEL	C1	C2	C3
FDC100,125,140VNA	380	370	178
FDC100,125,140VSA	378	382	178